

Data Sheet

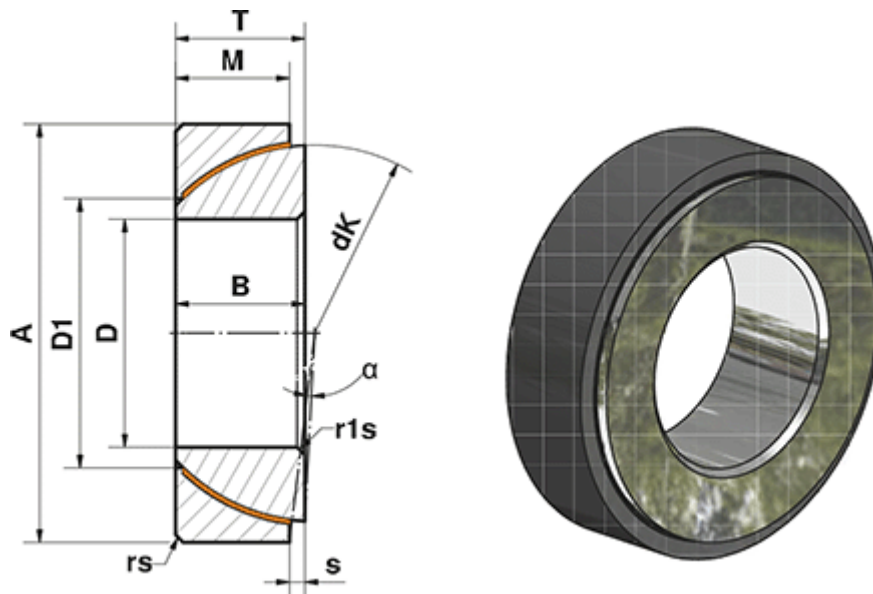


Article number: 03449090

Description: Fluro Heavy Duty Spherical Plain Bearing GE 90 SWE
Hole Ø90

Note: 90

Measures



A	= 140	rs, r1s min	= 1.5
a (degrees)	= 0.5	S	= 10.1
B	= 32	Static load C0 (kN)	= 1490
D	= 90	T	= 32
D1	= 100.9	Weight (g)	= 2090
dK	= 128.5		
Dynamic load C (kN)	= 894		
M	= 28		